

Electronic Pressure Switch

Type UDS1V2

Electronic pressure switch for pressure control with internal stainless steel diaphragm, with 2 solid state outputs or 1 solid state output with adjustable hysteresis.

Features

- Teach & Go
- Compact construction
- Housing 320° rotatable

Measuring ranges

0 ...10 bar to 0...600 bar

Applications

OEM applications in hydraulic and pneumatic systems, press construction, lubricant monitoring, apparatus engineering, machine/machine tool industry, automobile industry, injection molding machines



Technical Data

Sensor element:	Piezoresistive silicon or ceramic measuring cell
Materials:	
Wetted parts:	Steel, pass., Al2O3
Electronics housing:	PA 6.6
Seals:	FKM
Operating elements:	2 easy response push buttons
System of protection:	IP65
Protection class:	III
Process connection:	G 1/4" AG Others on request
Dimensions:	approx. Ø 28 x 100 mm (without plug connector)
Measuring ranges:	0...10 bar to 0...600 bar 0...150 to 0...9000 PSI
Electrical connection:	Plug M12x1, 4-pin

Temperature influence:	± 0.2 % f.s./10K
Compensation range:	-10 °C...+70 °C
Repeatability:	+/- 1 % f.s.
Temperature range:	
Medium:	-25 °C...+100 °C
Electronics:	-25 °C...+80 °C
Storage:	-30 °C...+80 °C
Power supply:	15...32 V DC, reversed polarity protected (SELV, PELV)
Transistor switching outputs PNP:	
Adjustment range for switching point- and hysteresis*	0 % ...100 % f.s. Max. 100 Hz Max. 200 mA, short-circuit proof
Vibration	10 g/20...2000 Hz
Shock	100 g/11 ms

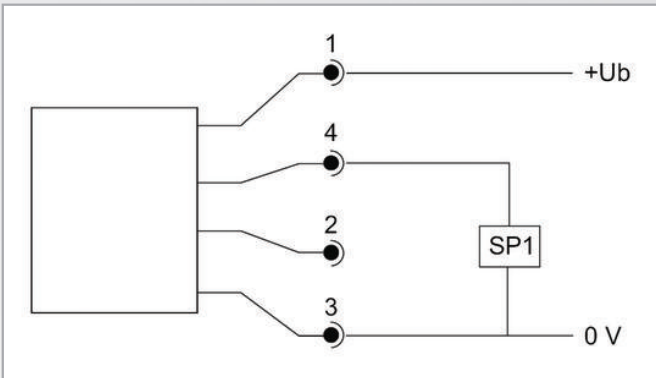
* only 1SP version (2SP version 15% hysteresis)

Pressure

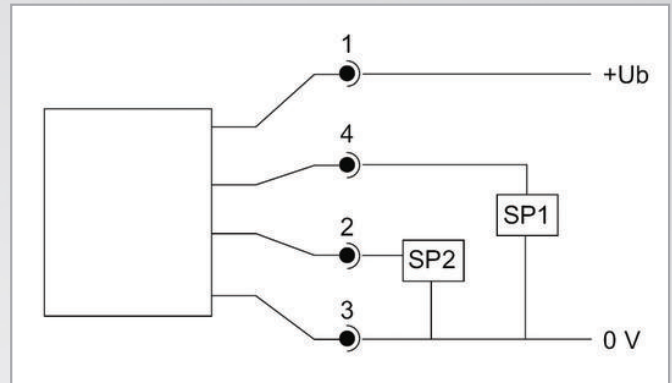
Electronic Pressure Switch

Type **UDS1V2**

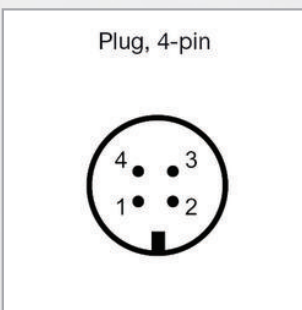
Connection Diagram 1



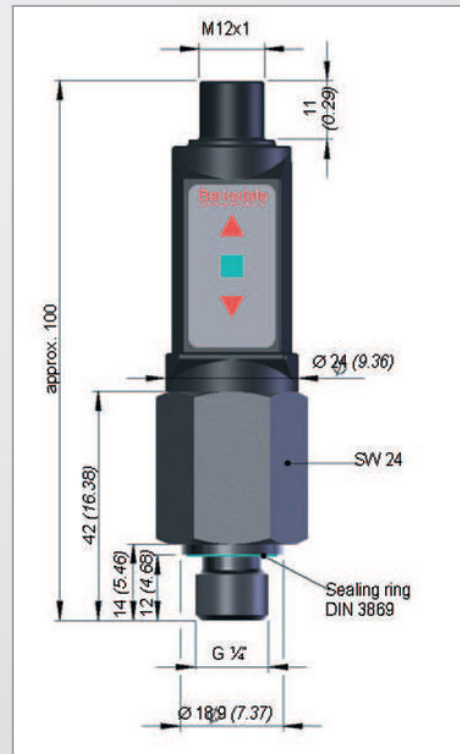
Connection Diagram 2



Plug



Dimensions (mm / inch)



Order Numbers

Pressure range	0...10 bar	0...100 bar	0...400 bar	0...600 bar
1 switching output with adjustable hysteresis	0421-060	0421-061	0421-062	0421-063
2 switching outputs with 15% hysteresis	0421-064	0421-065	0421-066	0421-067

Accessories

Order Number	Description
907-0357	Plug connector M12x1, 4-pin, with screw terminals, angled
907-0344	Plug connector M12x1, 4-pin, with screw terminals, straight