

# Type BFS-30-N / BFS-30-L / BFS-30-O

or liquids from 30 up to 600 cSt,  
with or without optical display

## Features

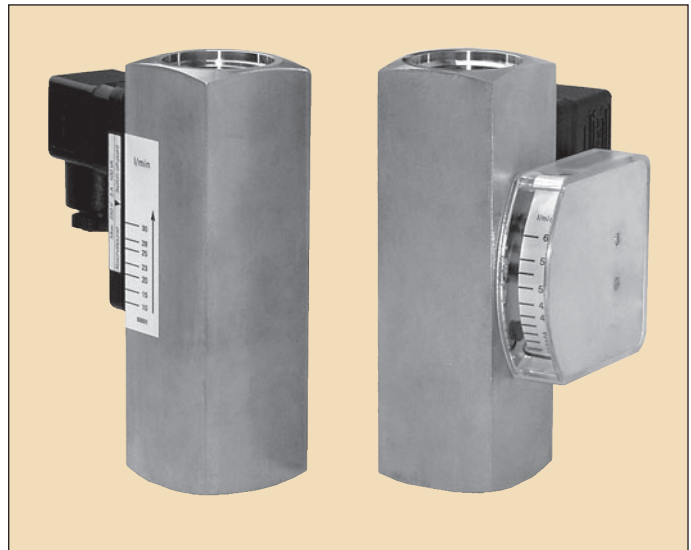
viscosity compensated from 30 up to 600 cSt,  
set point continuously adjustable,  
rugged, low hysteresis, any mounting position,  
high accuracy and functional safety,  
optional with pointer-indicating instrument

## Measuring ranges

0.5...1.5 l/min to 35...110 l/min  
for liquids from 30 up to 600 cSt.

## Applications

Measuring and monitoring of liquids, e. g. in cooling  
or hydraulic systems, test beds, pumps etc.



02 / 05 FLS US 01/1

## Technical data BFS-30-N (without indication)

Measuring principle : variable aera flow meter			
Materials	brass version	stainless steel vers.	
Flow meter	: brass	1.4571	
Spring	: 1.4571	1.4571	
Fitting	: brass, nickel-plated	1.4571	
Housing	: brass, nickel-plated	1.4571	
Operating pressure	brass	VA	press. drop
BFS-30-N, N E	: PN 250 bar	300 bar	0,02...0,4 bar
BFS-30-L	: PN 300 bar	350 bar	0,02...0,2 bar
Operating temperat. : 120 °C (standard), 160 °C (option HT)			

## Technical data BFS-30-O (with indication)

Measuring principle : variable aera flow meter			
Materials	brass version	stainless steel vers.	
Flow meter	: brass	1.4571	
Spring	: 1.4571	1.4571	
Fitting	: brass, nickel-plated	1.4571	
Housing	: brass, nickel-plated	1.4571	
Display housing	: Makrolon	Makrolon	
Operating pressure	brass	VA	press. drop
BFS-30-O, O E	: PN 250 bar	300 bar	0,02...0,4 bar
Operating temperat. : 120 °C (standard), 160 °C (option HT)			

Switch. ranges for:	in l/min	Process connections
<b>BFS-30-L:</b>	0,5...1,6	G1/4, G1/2
	0,8...3,0 / 2,0...7,0	G1/2
<b>BFS-30-N</b>	0,5...1,5	G1/4, G1/2, G3/4, G1
	1,0...4,0	
	2,0...8,0 / 3,0...10	G1/2, G3/4, G1
	5,0...15 / 8,0...24	
	10...30 / 15...45	G3/4, G1
<b>BFS-30-N E :</b>	30...90 / 35...110	G1
	1,0...20 / 4,0...40	G1/2, G3/4, G1
	5,0...50 / 8,0...60	G3/4, G1
	12...70 / 15...80	G1

Switch. ranges for:	in l/min	Process connections
<b>BFS-30-O</b>	0,5...1,5	G1/4, G1/2, G3/4, G1
	1,0...4,0	
	2,0...8,0 / 3,0...10	G1/2, G3/4, G1
	5,0...15 / 8,0...24	
	10...30 / 15...45	G3/4, G1
<b>BFS-30-O E :</b>	30...90 / 35...110	G1
	1,0...20 / 4,0...40	G1/2, G3/4, G1
	5,0...50 / 8,0...60	G3/4, G1
	12...70 / 15...80	G1

Accuracy	: ±10% f. s.		
Electrical connect.	: plug acc. to DIN 43650		
Contact rating	BFS-30-L : 230 V / 3 A / 60 VA (NO) 250 V / 1,5 A / 50 VA (SPDT)		
	BFS-30-N, N E : 250 V / 3 A / 100 VA (NO) 250 V / 1,5 A / 50 VA (SPDT)		
	EEx-m II T6 vers. : 250 V / 2 A / 60 VA (NO) 250 V / 1 A / 30 VA (SPDT)		
	ExII 1GD EEx ia II B T6 vers. : 45 V / 1 A / (NO / SPDT)		
Protection class	: IP65 (plug acc. to DIN 43650) IP67 (with moulded cable, EEx-models only)		

Accuracy	: ±10% f. s.		
Electrical connect.	: plug acc. to DIN 43650		
Contact rating	BFS-30-O, O E : 250 V / 3 A / 100 VA (NO) 250 V / 1,5 A / 50 VA (SPDT)		
	EEx-m II T6 vers. : 250 V / 2 A / 60 VA (NO) 250 V / 1 A / 30 VA (SPDT)		
	ExII 1GD EEx ia II B T6 vers. : 45 V / 1 A / (NO / SPDT)		
Protection class	: IP65 (plug acc. to DIN 43650) IP67 (with moulded cable, EEx-models only)		

Barksdale Flow Switches Overview

Specifications are subject to changes without notice.

# Type BFS-30-N / BFS-30-L / BFS-30-O

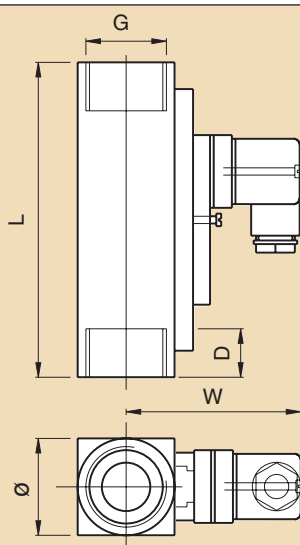
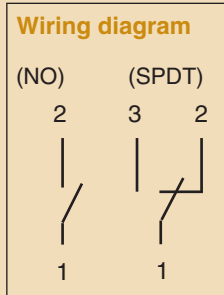
02 / 05 FLS US 01/1

Barksdale Flow Switches Overview

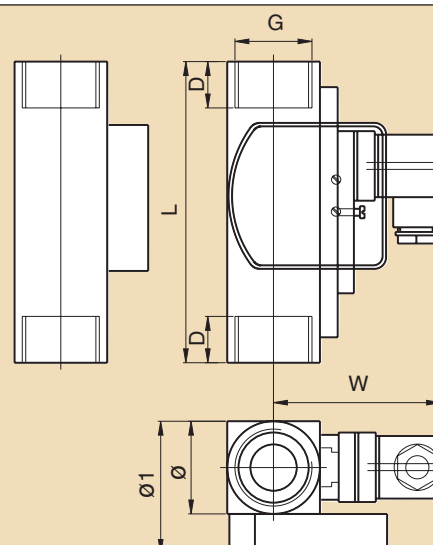
Specifications are subject to changes without notice.

Dimensions (in mm)

**BFS-30-N / L**



**BFS-30-O**



(G)	G 1/4	G 1/2	G 3/4	G 1	1/2" (BFS-30-L)
(hex)	34	34	34	40	27
(Ø)	40	40	40	40	31
(W)	76	76	76	76	52
(D)	21	21	21	17	14
(L)	152	152	152	130	90
Weight (g)	1500	1425	1340	1160	350

(G)	G 1/4	G 1/2	G 3/4	G 1
(hex)	34	34	34	40
(Ø)	40	40	40	40
(W)	76	76	76	76
(D1)	57	57	57	57
(L)	152	152	152	130
Weight (g)	1590	1515	1430	1250

## Order numbers

BFS-30	Brass	BFS-30	Brass
0713-266	BFS-30-L-G1/2-MS-NO-ST	0713-348	BFS-30-L-G1/2-MS-WE-ST
0713-267	BFS-30-N-G1-MS-NO-ST	0713-349	BFS-30-N-G1-MS-WE-ST
0713-268	BFS-30-NE-G1-MS-NO-ST	0713-350	BFS-30-NE-G1-MS-WE-ST
0713-272	BFS-30-O-G1-MS-NO-ST	0713-354	BFS-30-O-G1-MS-WE-ST
0713-273	BFS-30-OE-G1-MS-NO-ST	0713-355	BFS-30-OE-G1-MS-WE-ST
Stainless steel		Stainless steel	
0713-269	BFS-30-L-G1/2-SS-NO-ST	0713-351	BFS-30-L-G1/2-SS-WE-ST
0713-270	BFS-30-N-G1-SS-NO-ST	0713-352	BFS-30-N-G1-SS-WE-ST
0713-271	BFS-30-NE-G1-SS-NO-ST	0713-353	BFS-30-NE-G1-SS-WE-ST
0713-274	BFS-30-O-G1-SS-NO-ST	0713-356	BFS-30-O-G1-SS-WE-ST
0713-275	BFS-30-OE-G1-SS-NO-ST	0713-357	BFS-30-OE-G1-SS-WE-ST

Adaptor	Brass	Adaptor	Stainless steel
0799-026	1"...1/4"	0799-029	1"...1/4"
0799-027	1"...1/2"	0799-030	1"...1/2"
0799-028	1"...3/4"	0799-031	1"...3/4"

**Order number example: Order number + switching range = 0713-266, 0,8...3,0 l/min**

## Description

NO = normally open	NE = without indication, enlarged meas. range	MS = brass	Please specify switching range (see table on page P7) additional to order number.
WE = change-over	OE = with indication, enlarged meas. range	SS = stainless steel	
	L = without indication, low cost		
	N = without indication		
	O = with indication		