

Level Switches made of Stainless Steel with G1/4 - Mounting Thread

Type UNS-VA1/4 VA52 (-HT)

Technical Data

Stem and Mounting Thread	: VA 1/4 = W.Nr. 1.4571, G1/4
Float	: VA 52 = W.Nr. 1.4571, \varnothing 52 mm
Max. Operating Pressure	: 40 bar (Float / +20 °C)
Max. Operating Temperature	: -10 °C...+105 °C, PVC-Cable -40 °C...+150 °C, Silicone cable (-HT)
Min. Fluid Specific Gravity	: 0,78 g/cm ³
Mounting Position	: vertical, $\pm 30^\circ$, through top or bottom
Protection Class	: IP54
Electrical Connection	: PVC-cable, max. 3 x 0,34 mm ² Silicone cable (-HT), max. 3 x 0,5 mm ² 1 m / 3 m / 5 m length
Contact Mode	: 1 - SPST-switch (NO) 2 - SPST-switch (NC) 3 - SPDT-switch
Max. Contact Rating	: 1 - 250 V AC/DC / 3,0 A / 100 VA/W 2 - 250 V AC/DC / 3,0 A / 100 VA/W 3 - 140 V AC/DC / 1,0 A / 60 VA/W
Weight	: appr. 150 g
Approval	: ATEX on request

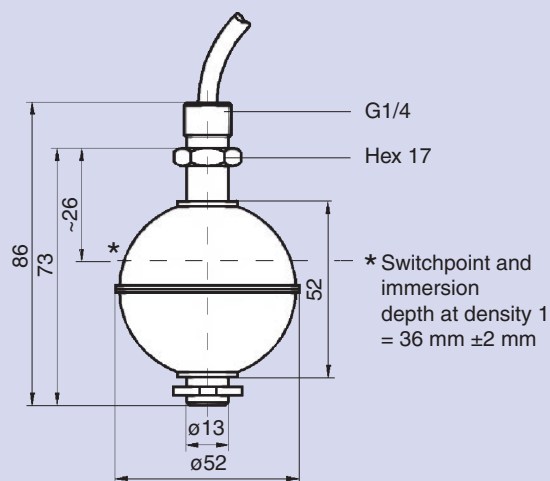
By turning the float upside down the function of the switch contact can be changed from NO (standard) in NC or vice versa. (Not possible with SPDT contacts)

The contact modes (NO or NC) are defined on the basis of an empty tank and for a level switch mounted through the top.

Order Numbers

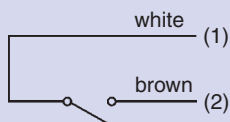
Type	Contact Mode	Cable Type/Length	Order Number
UNS-VA1/4-K1-VA52/1(2)	NO (NC)	PVC / 1 m	0111-482
UNS-VA1/4-K3-VA52/1(2)	NO (NC)	PVC / 3 m	0111-483
UNS-VA1/4-K5-VA52/1(2)	NO (NC)	PVC / 5 m	0111-484
UNS-VA1/4-K1-VA52/3	SPDT	PVC / 1 m	0111-485
UNS-VA1/4-K3-VA52/3	SPDT	PVC / 3 m	0111-486
UNS-VA1/4-K5-VA52/3	SPDT	PVC / 5 m	0111-487
UNS-VA1/4-K1-VA52/1(2)-HT	NO (NC)	Silikon / 1 m	0111-488
UNS-VA1/4-K3-VA52/1(2)-HT	NO (NC)	Silikon / 3 m	0111-489
UNS-VA1/4-K5-VA52/1(2)-HT	NO (NC)	Silikon / 5 m	0111-490
UNS-VA1/4-K1-VA52/3-HT	SPDT	Silikon / 1 m	0111-491
UNS-VA1/4-K3-VA52/3-HT	SPDT	Silikon / 3 m	0111-492
UNS-VA1/4-K5-VA52/3-HT	SPDT	Silikon / 5 m	0111-493

Dimensions (in mm)



Colour Code

NO (NC)



SPDT

