

Bilge Level Switch

Type UNS-VA/SB4-Bilge Guard

Level switch without test function

Features

Rugged and sturdy design for bilge monitoring

Applications

Shipbuilding,
sewage works
yacht building

Technical Data

Materials:	
Stem, bracket and float chamber:	stainless steel
Float:	PE
Cable:	Polymer, halogen-free, UL-V0
Cap nut:	PA
Operating pressure:	max. 3 bar (float/+20 °C)
Temperature range:	max. -20 °C...+70 °C
Fluid specific gravity:	min. 0.80 g/cm ³
Immersion depth:	
at density 1:	28 ±2 mm L1 ~18 mm
at density 0.8:	35 ±2 mm L1 ~11 mm
Mounting position:	vertical ±15°
Protection class:	IP67
Electrical connection:	Polymer cable, 2 x 0.75 mm ²
Cable length:	2 m/5 m/10 m/15 m
Contact type*:	SPST switch (NO) (marking at bottom) By turning the float upside down: SPST switch (NC) (marking at top)
Contact rating:	max. 230 V AC/DC max. 2.0 A max. 40 VA/W
Weight:	approx. 175 g
Approvals:	GL, DNV, BV, ATEX on request

* The contact types (NO or NC) are defined on the basis of dry position of float and cable pointing vertically upwards.

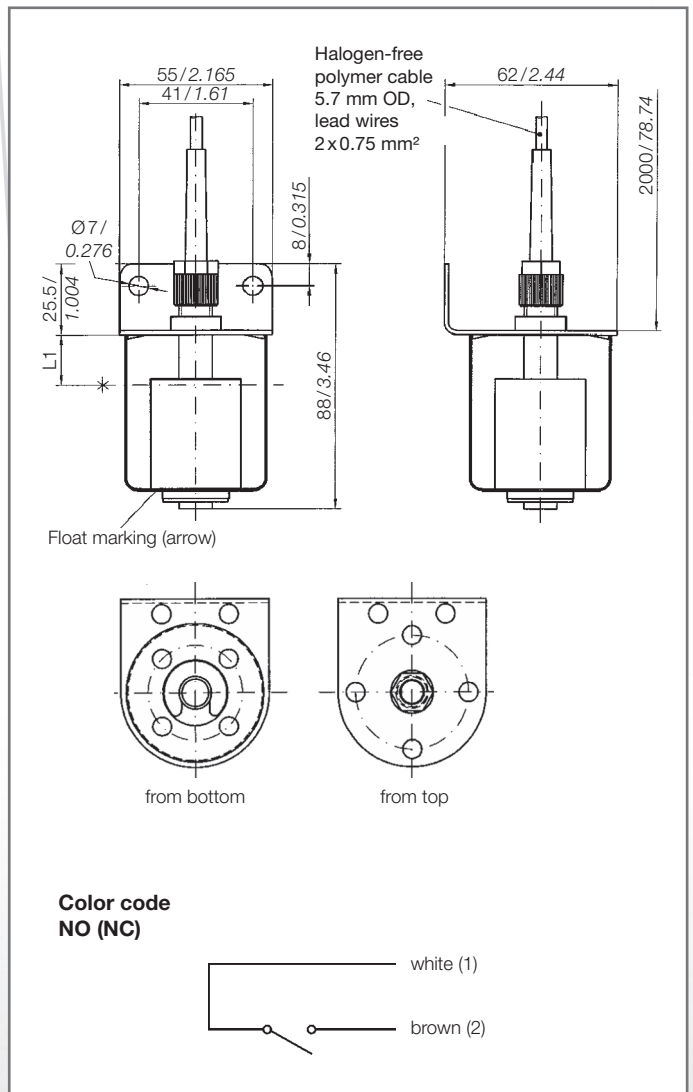
Order numbers

Type	Contact type	Cable type/length	Order No.
UNS-VA/SB4 Bilge Guard	NO (NC)	Polymer/2 m	0111-509
	NO (NC)	Polymer/5 m	0111-529
	NO (NC)	Polymer/10 m	0111-524
	NO (NC)	Polymer/15 m	0111-528



Index: A

Dimensions (in mm/inch)



Subject to technical changes.