

Mechanical temperature switches

Type **L2H**

Local mount type

Features

- Local mount type dual switch with explosion proof housing
- Terminal clip integrated, set point adjustment in C and °F under tamper protected cover
- Protection class: IP65, NEMA 4 / 13
- For use as two-position controller optionally with one micro switch with adjustable hysteresis for temperature control
- The second contact can also be used for max. or min. monitoring or for sensor monitoring
- Optional for high circuit S2:
 - Disconnection with manual reset, RD-micro switch
 - Adjustable hysteresis (deadband), S-micro switch
- Option thermowell:
 - W = Brass
 - WS = Stainless steel SS316Ti, 1.4571
- Approvals: Ex ia, UL, CSA

Adjustment ranges

-45 °C...+24 °C to +66 °C...+232 °C

Applications

Temperature monitoring and control in industry, shipbuilding, railcars

Technical Data

Housing material:	Die-cast aluminium, anodized
Process connection:	Standard 1/2" NPT male, option W/WS 3/4" NPT male
Temperature sensor material:	Standard: brass / copper, version S: stainless steel (SS304 / 1.4301) for pressure values refer to table in chap. Accessories
Electrical values:	All models are equipped with SPDT contacts
Micro switch type:	H, M, GH, GM, S, RD
Electrical connection:	3/4" NPT female, internal screw terminal, cable gland in PA, for cable size 6...12 mm is included
Protection class:	IP65, NEMA 4 / 13

Set point adjustment:	Turn adjustment knob clockwise to increase the actuation point
Standards:	The equipment is in conformity with the following harmonised European standards: EN 60014 1977 + A1 to A4 and EN 500120 1977 + A1
Intrinsic safety:	The switches are also suitable for intrinsically safe applications. Add "Exi" in case of ordering. The following max. values are valid when using these switches: U _{max} = 28 V I _{max} = 50 mA
Approvals:	Ex ia, UL, CSA
Weight:	1.5 kg approx.



Index: B

Adjustment ranges

Code adjustment range	Sensor temperature limits (°C)	Adjustment range (°C)	Hysteresis (°C)* for micro switch			
			H, GH	M, GM	S	RD
						2.8...manual
201	-73 ... +121	-45...+24	0.5... 1.6	1.6... 3.3	3.3... 11.2	
202	-73 ... +121	-9...+60	0.5... 1.6	1.6... 3.3	3.3... 11.2	
203	-73 ... +121	+24...+93	0.5... 1.6	1.6... 3.3	3.3... 11.2	
204	-73 ... +121	-45...+93	0.5... 1.6	1.6... 3.3	3.3... 11.2	
351	-73 ... +205	+38...+107	0.5... 1.6	1.6... 3.3	3.3... 11.2	
354	-73 ... +205	+38...+177	0.5... 1.6	1.6... 3.3	3.3... 11.2	
454	-18 ... +260	+66...+232	1.6... 3.3	3.3... 5.0	5.5... 16.8	

* Dependent on medium

Specifications are subject to changes without notice.

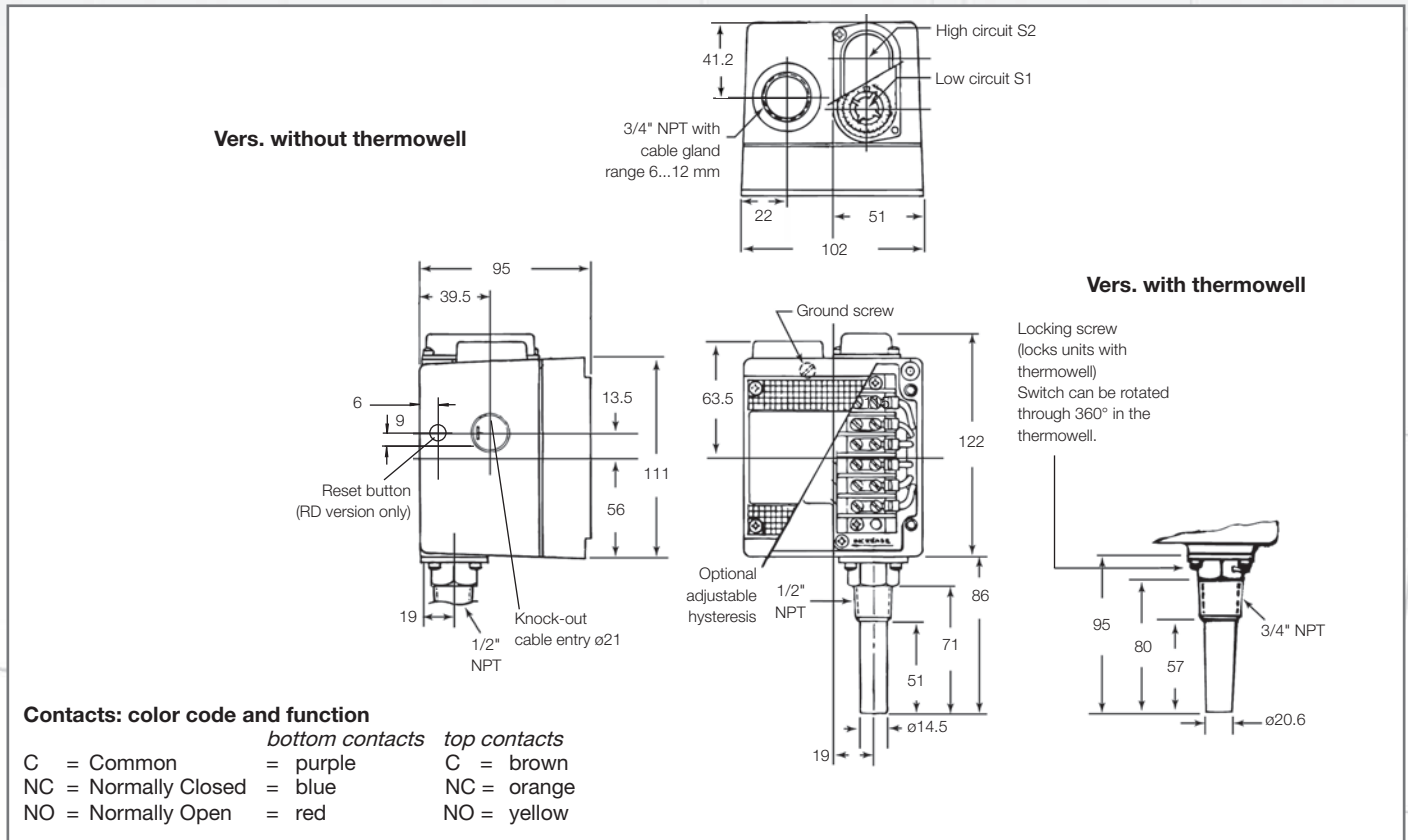
Temperature

Mechanical temperature switches

Type **L2H**

Dimensions (in mm / inch)

Index: B



Electrical ratings

Micro switch	Special features	Volt AC 50/60 Hz	Ind. load A	Res. load A	Volt DC	Ind. load A	Res. load A	Comments
H	Micro switch with silver contacts	125 250 480	10 10 3	10 10 3	6 to 28	0.50	0.5	Small hysteresis; High AC / low DC loads
M	Micro switch with silver contacts	125 250 480	10 10 3	10 10 3	12 24 250	5.00 1.00 0.25	15.0 2.0 0.4	Medium hysteresis; High AC and DC loads
GH	Micro switch with gold contacts for low voltage	125	1	1	24	1.00	1.0	Small hysteresis
GM	Micro switch with gold contacts for low current	30	0.1	0.1	30	0,10	0.1	Medium hysteresis
S	Micro switch with silver contacts	480	15	15	125	0.05	0.4	Adjustable hysteresis
RD*	Micro switch with silver contacts	480	10	10	125	0.4	0.75	Manual reset (S2 only)

* Please note: enter "RD" in "Option" and the 2nd micro switch (H, M, GH or GM) in "Micro switch" when placing your order.
Hermetically sealed micro switch (HL2H) on request

Sensor material / Options

Sensor material		Options 1		Options 2	
---	Brass/copper	W	Thermowell of brass	RD	Manual reset (S2 only)
S	Stainless steel	WS	Thermowell of SS (1.4571, SS316 Ti)	EXI	for intrinsically safe application, Ex ia

Ordering

Example for order number

Type	Micro switch	Code Adjustment range	Sensor material *	Option 1	Option 2
L2H	H	202	S	WS	EXI

Your order number

L2H					
------------	--	--	--	--	--

* : brass/copper, option: S = Stainless steel

Specifications are subject to changes without notice.