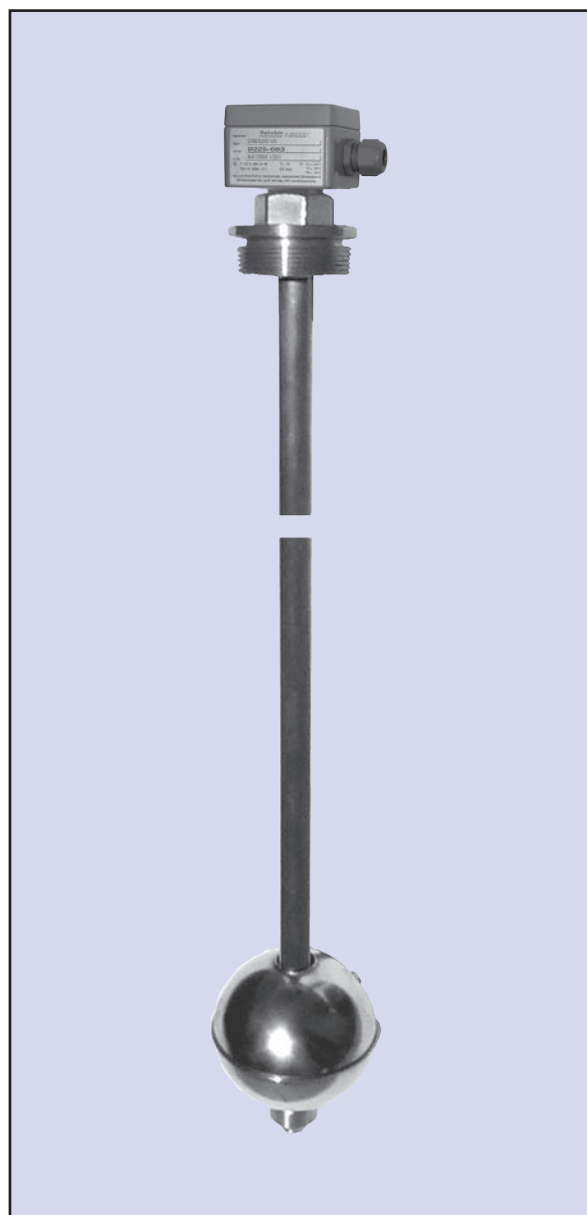


Type USE 6200



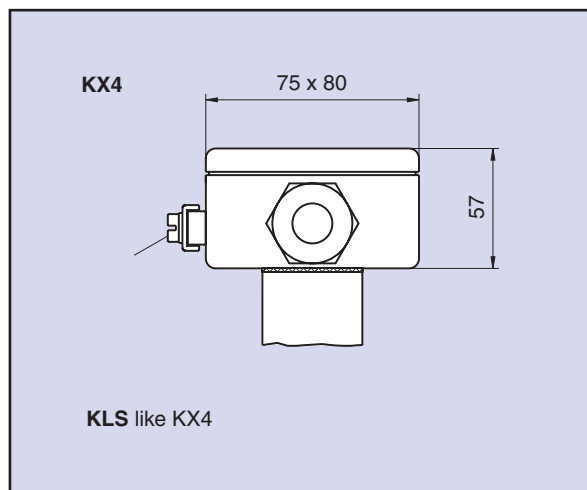
USE 6200 - Level Sensor for Applications in Category 1



Technical data

Max. Length L_0	: 6000 mm
Materials	: Stainless steel (1.4571, 1.4408)
Mounting Element	: Stainless steel (1.4571, 1.4408), tank screw or flange
Stem	: Stainless steel (1.4571), $\varnothing = 18 \times 1$ mm (if necessary with mounting strap)
Float	: Stainless steel (1.4571) VX100, $\varnothing = 105$ mm, oval min. media density = 0,62 g/cm ³ max. pressure = 32 bar : Buna-N BN 42, $\varnothing = 42$ mm min. media density = 0,55 g/cm ³ max. pressure = 15 bar
Electrical Connection	: KX4 - Aluminum terminal box (75 x 80 x 57 mm, 3 terminals) KLS - Aluminum terminal box incl. transducer MUEX (75 x 80 x 57 mm)
Protection Class	: KLX, KLS = IP65
Registration Mark	: II 1/2 G EEx ia IIC T6
Certificate No.	: TÜV 01 ATEX 1717
Temperature Ranges	: T1...T4 to +100 °C T5 to +65 °C T6 to +50 °C
Temperaturbereiche with Transducer MUEX	: T1... T4 to +85 °C : T5... T6 to +60 °C
Total Resistance	: 10 kOhm ...100 kOhm
Power Supply	: 8 ... 24 V DC with transducer, max. 24 V DC without transducer
Type of Screen	: R12 = screen 12,7 mm (1/2") accuracy $\pm 6,4$ mm appr. 0,2% at 6000 mm measuring length
Wiring	: 3-wire, length up to 5000 mm depending on cable diameter
Options	: DR - slosh tube, interfacial level indication

Electrical Connections



12 / 04 TLI US 01/1

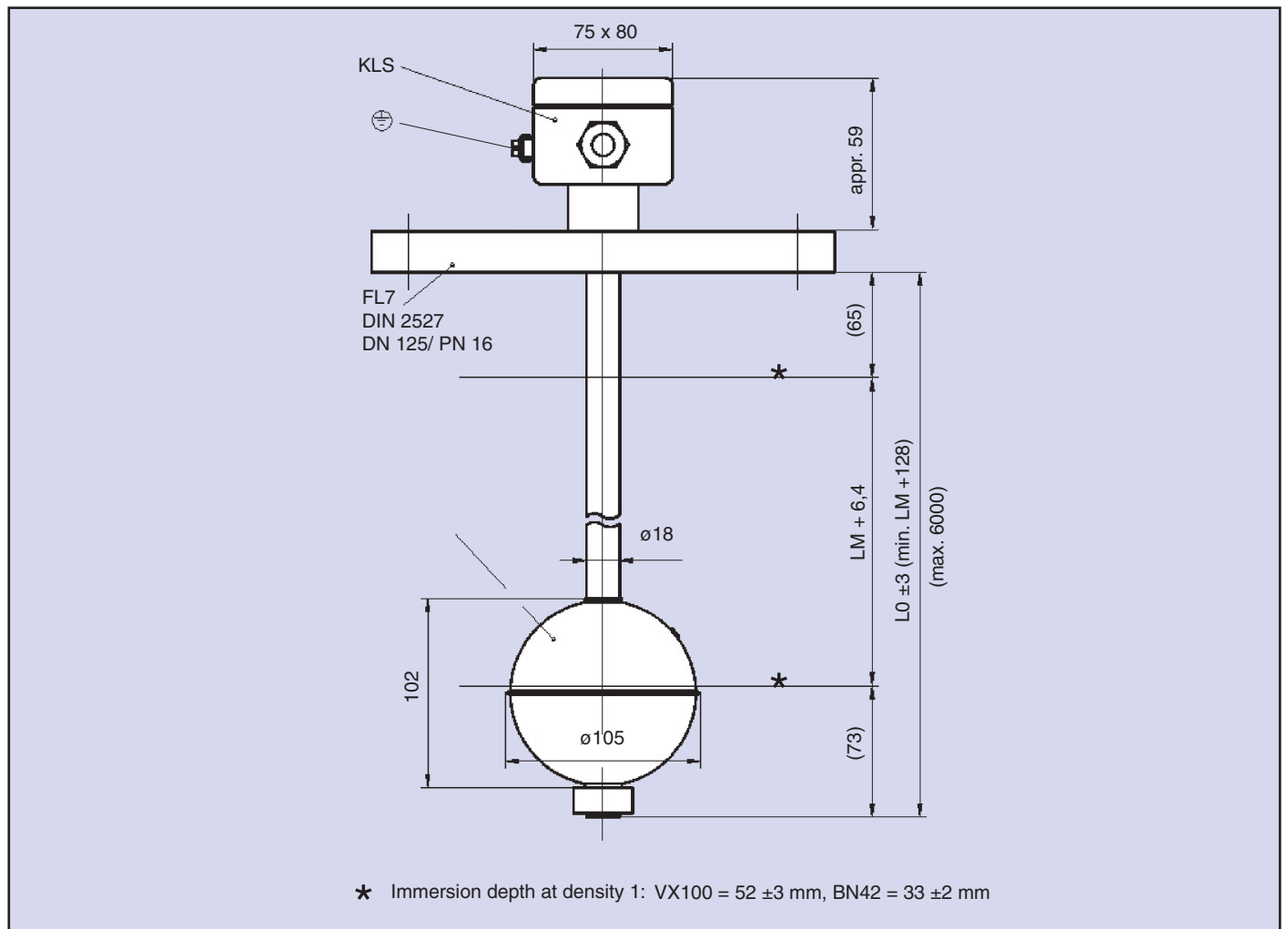
Barksdale Tank Level Indicating Systems

Specifications are subject to changes without notice.

Type USE 6200



Dimensions (in mm)



12 / 04 TL I US 01/1

Barksdale Tank Level Indicating Systems

Order number example

Type	Series	Material	Mounting Element	Electrical Connection	Float Type	Screen	Meas. Length LM	Options
USE	6200	VA	FL7	KLS	VX100	R12	4000	-

Your order number

USE	6200							
-----	------	--	--	--	--	--	--	--

Specifications are subject to changes without notice.

Material	Mounting Element	Electrical Connection	Float Type	Screen	Meas. Length LM (in mm)	Options
(VA) Stainless steel 1.4571/ 1.4408	(G2) G2 Tank screw (FL4) DIN-flange, DN125/PN16	(KX4) Aluminum terminal box, 3 terminals (KLS) Aluminum terminal box incl. transducer MUEX	(VX100) Stainless steel float $\phi 105$ mm (BN42) Buna-N float $\phi 42$ mm	(R12) Standard	xxxx (e. g.: 4 m = 4000)	(DR) Slosh tube (TM) Interfacial level indication